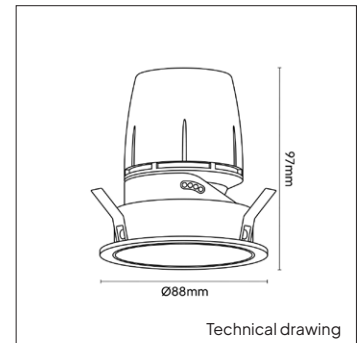
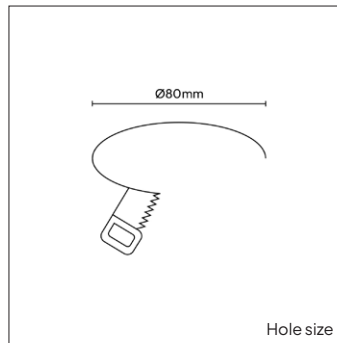


PRODUCT MATERIAL	Die-cast aluminium
LIGHT SOURCE	Cree XHP-5 or DtW COB
MODULE LIFETIME	Approx. 50.000 hours
DRIVER	Excluding driver, SELECT OPTION
COLORS (Δ)	○ 3 = RAL 9003 white ● 5 = RAL 9005 black
BEAM ANGLE	6°
BEAM ANGLE DTW	24°
ADJUSTABLE	Adjustable
SIZE	Ø88 X 97mm

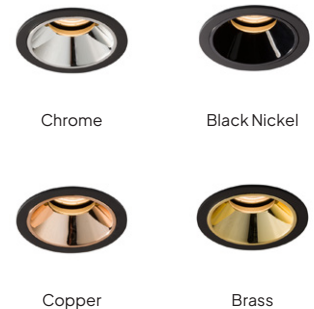


OPTIONS

OPTIONAL BEAM ANGLE	20°	Art. no.: 4301.011.20.0
	36°	Art. no.: 4301.101.36.0
OPTIONAL BEAM ANGLE DTW	36°	Art. no.: 4301.202.36.0
ANTI-GLARE RING	Chrome	Included
	Copper	Art. no.: 4301.066.00.0
	Brass	Art. no.: 4301.077.00.0
	Black nickel	Art. no.: 4301.088.00.0
DRIVER OPTIONS	On/off	500mA 6-10W Art. no.: 0110.500.10.0
	Phase cut	500mA 6-10W Art. no.: 0110.500.20.7
	DALI	500mA 4-18W Art. no.: 0118.500.40.0 Max. 3 fixtures connected in serie per driver
DRIVER OPTIONS DTW	On/off	350mA 11-16W Art. no.: 0116.350.10.3
	Phase cut	350mA 6-13W Art. no.: 0113.350.20.1
	1/10V	350mA 0-15W Art. no.: 0115.350.30.0
	DALI	350mA 11-19W Art. no.: 0136.350.40.0
POWER CABLE OPTIONS Connected to driver/fixture	Europlug 2000mm 2 X 0,75 Art. no.: 0502.075.20.0	
	Wieland GST 18/3 male 2000mm 3 X 0,75 Art. no.: 0501.183.20.0	
	Wieland T connector GST 18/3 200mm 3 X 0,75 Art. no.: 0500.183.20.0	



ANTI-GLARE RING





INFORMATION

Always select a driver option and add the selected driver to your order.




! Full warranty only applies when fixture is purchased in combination with recommended driver.

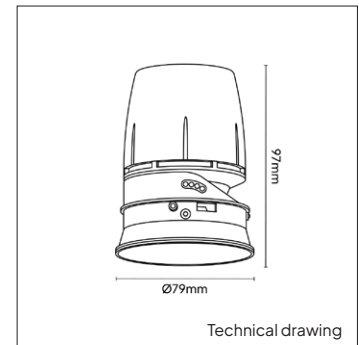
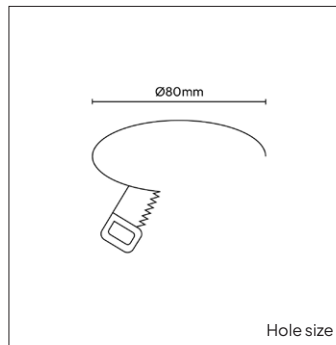
ARTICLE NUMBER Δ See colors	LAMP TYPE	BRAND	LUMINOUS FLUX	OUTPUT POWER	MODULE EFFICIENCY	COLOR TEMPERATURE	CRI	TC LIFETIME	mA
4302.135.06.Δ	XHP-5	Cree	460lm	6W	77lm/W	2700K	>90	50.000 Hrs	500mA
4301.125.24.Δ	DtW COB	VS	740lm	13W	57lm/W	2000-2900K DTW	>90	50.000 Hrs	350mA

PRODUCT MATERIAL	Die-cast aluminium
LIGHT SOURCE	Cree XHP-5 or DtW COB
MODULE LIFETIME	Approx. 50.000 hours
DRIVER	Excluding driver, SELECT OPTION
COLORS (Δ)	<input type="radio"/> 3 = RAL 9003 white <input checked="" type="radio"/> 5 = RAL 9005 black
BEAM ANGLE	 6°
BEAM ANGLE DTW	 24°
ADJUSTABLE	Adjustable
SIZE	Ø79 X 97mm



OPTIONS

OPTIONAL BEAM ANGLE	 20°	Art. no.: 4301.011.20.0
	 36°	Art. no.: 4301.101.36.0
OPTIONAL BEAM ANGLE DTW	 36°	Art. no.: 4301.202.36.0
ANTI-GLARE RING	Chrome	Included
	Copper	Art. no.: 4301.066.00.0
	Brass	Art. no.: 4301.077.00.0
	Black nickel	Art. no.: 4301.088.00.0
DRIVER OPTIONS	On/off	500mA 6-10W Art. no.: 0110.500.10.0
	Phase cut	500mA 6-10W Art. no.: 0110.500.20.7
	DALI	500mA 4-18W Art. no.: 0118.500.40.0 Max. 3 fixtures connected in serie per driver
DRIVER OPTIONS DTW	On/off	350mA 11-16W Art. no.: 0116.350.10.3
	Phase cut	350mA 6-13W Art. no.: 0113.350.20.1
	1/10V	350mA 0-15W Art. no.: 0115.350.30.0
	DALI	350mA 11-19W Art. no.: 0136.350.40.0
POWER CABLE OPTIONS Connected to driver/fixture	Europlug 2000mm 2 X 0,75 Art. no.: 0502.075.20.0	
	Wieland GST 18/3 male 2000mm 3 X 0,75 Art. no.: 0501.183.20.0	
	Wieland T connector GST 18/3 200mm 3 X 0,75 Art. no.: 0500.183.20.0	



ANTI-GLARE RING



Chrome



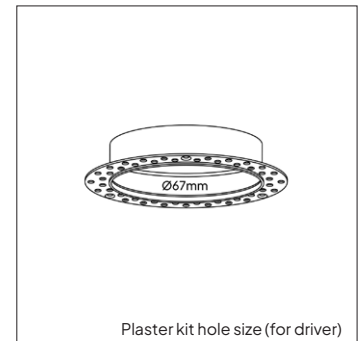
Black Nickel



Copper






Brass



INFORMATION

Always select a driver option and add the selected driver to your order.

-  Pay attention at the inner size (Ø67mm) of the plaster kit, as the chosen driver needs to fit through this hole.
-  Full warranty only applies when fixture is purchased in combination with recommended driver.

ARTICLE NUMBER Δ See colors	LAMP TYPE	BRAND	LUMINOUS FLUX	OUTPUT POWER	MODULE EFFICIENCY	COLOR TEMPERATURE	CRI	TC LIFETIME	mA
4302.225.24.3	XHP-5	Cree	460lm	6W	56lm/W	2700K	>90	50.000 Hrs	500mA
DTW									
4301.225.24.3	DtW COB	VS	740lm	13W	57lm/W	2000-2900K 	>90	50.000 Hrs	350mA