
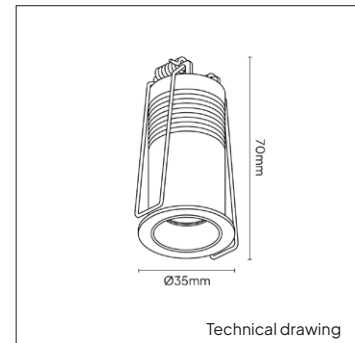
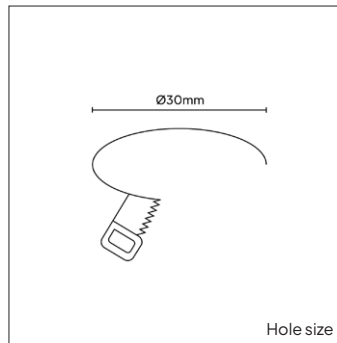


PRODUCT MATERIAL	Die-cast aluminium
LIGHT SOURCE	Citizen CLU701
MODULE LIFETIME	Approx. 35.000 hours
DRIVER	Excluding driver, SELECT OPTION
COLORS (Δ)	<input type="radio"/> 3 = RAL 9003 white <input checked="" type="radio"/> 5 = RAL 9005 black
BEAM ANGLE	 32°
ADJUSTABLE	No
SIZE	Ø35 X 70mm



OPTIONS

DRIVERS OPTIONS	On/off 500mA 3-6W Art. no.: 0106.500.10.3 Size: 66,3 x 38,5 x 21,8mm This driver can only be placed externally
	Phase cut 500mA 4-10W Art. no.: 0110.500.20.5 Size: 100 x 50 x 19mm Max. 2 fixtures connected in serie per driver This driver can only be placed externally
	DALI 500mA 4-18W Art. no.: 0118.500.40.0 Size: 95 x 53 x 30mm Max. 3 fixtures connected in serie per driver This driver can only be placed externally
POWER CABLE OPTIONS Connected to driver/ fixture	Europlug 2000mm 2 X 0,75 Art. no.: 0502.075.20.0
	Wieland GST 18/3 male 2000mm 3 X 0,75 Art. no.: 0501.183.20.0
	Wieland T connector GST 18/3 200mm 3 X 0,75 Art. no.: 0500.183.20.0



INFORMATION

Always select a driver option and add the selected driver to your order.



Full warranty only applies when fixture is purchased in combination with recommended driver.

ARTICLE NUMBER	LAMP TYPE	BRAND	LUMINOUS FLUX	OUTPUT POWER	MODULE EFFICIENCY	COLOR TEMPERATURE	CRI	TC LIFETIME	mA
4980.500.32.Δ	CLU701	Citizen	452lm	5W	90lm/W	2700K	>90	35.000 Hrs	500mA

Δ See colors