

PRODUCT MATERIAL	Aluminium and Iron
LIGHT SOURCE	Led S2835
MODULE LIFETIME	Approx. 50.000 hours
DRIVER	Including phase cut dimmable driver
COLORS (Δ Inserts)	<ul style="list-style-type: none"> ○ 3 = RAL 9003 white ● 5 = RAL 9005 black ● 8 = Anodic brown
BEAM ANGLE	120° 120°
SIZE	100 X 70 X 156mm

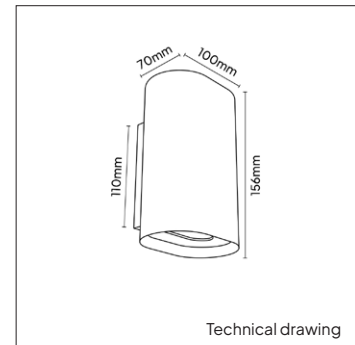
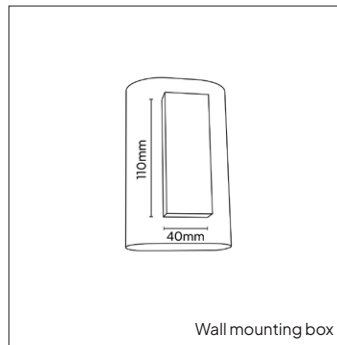


OPTIONS

ON/OFF SWITCH	Art. no.: 6035.000.00.0
DRIVER OPTIONS	DALI 500mA 1-10W Art. no.: 0110.500.40.0

INFORMATION

⚠ Full warranty only applies when fixture is purchased in combination with recommended driver.



INSERTS



Black



White



Anodic brown

ARTICLE NUMBER	COLOR BODY	LAMP TYPE	BRAND	LUMINOUS FLUX	OUTPUT POWER	MODULE EFFICIENCY	COLOR TEMPERATURE	CRI	TC LIFETIME	mA
Δ See colors Inserts										
6034.273.30.3Δ	○ white	LED 2835	Seoul	2 X 167lm	2 X 4W	42lm/W	2700K	>90	50.000 Hrs	500mA
6034.273.30.5Δ	● black	LED 2835	Seoul	2 X 167lm	2 X 4W	42lm/W	2700K	>90	50.000 Hrs	500mA
6034.273.30.8Δ	● anodic brown	LED 2835	Seoul	2 X 167lm	2 X 4W	42lm/W	2700K	>90	50.000 Hrs	500mA
6034.330.30.3Δ	○ white	LED 2835	Seoul	2 X 192lm	2 X 4W	48lm/W	3000K	>90	50.000 Hrs	500mA
6034.330.30.5Δ	● black	LED 2835	Seoul	2 X 192lm	2 X 4W	48lm/W	3000K	>90	50.000 Hrs	500mA
6034.330.30.8Δ	● anodic brown	LED 2835	Seoul	2 X 192lm	2 X 4W	48lm/W	3000K	>90	50.000 Hrs	500mA

Keylight International reserves the right to modify or change technical, construction or LED specifications due to continuous improvements of our products and light sources.