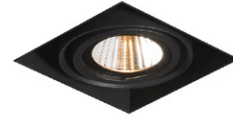
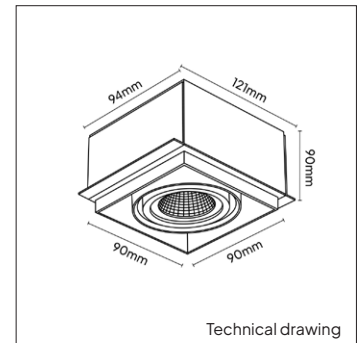
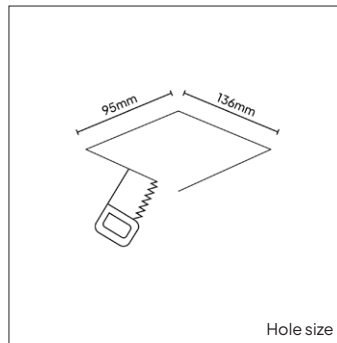


PRODUCT MATERIAL	Steel
LIGHT SOURCE	LMR50
MODULE LIFETIME	Approx. 30.000 hours
DRIVER	Excluding driver, SELECT OPTION
COLORS (Δ)	<input type="radio"/> 3 = RAL 9003 white <input checked="" type="radio"/> 5 = RAL 9005 black
BEAM ANGLE	<input checked="" type="radio"/> 20° <input checked="" type="radio"/> 30°
ADJUSTABLE	Yes
SIZE	See technical drawing



OPTIONS LMR50

GLASS COVER CLEAR	Glass IP44 Art. no.: 0053.999.99.0
DRIVER OPTIONS	On/off 350mA 6-10W Art. no.: 0110.350.10.3
	Phase cut 350mA 1-7W Art. no.: 0107.350.20.2
	DALI 350mA 3-18W Art. no.: 0118.350.40.0 Max. 2 fixtures connected in serie per driver
POWER CABLE OPTIONS Connected to driver/fixture	Europlug 2000mm 2 X 0,75 Art. no.: 0502.075.20.0
	Wieland GST18/3 male 2000mm 3 X 0,75 Art. no.: 0501.183.20.0
	Wieland T connector GST18/3 200mm 3 X 0,75 Art. no.: 0500.183.20.0



INFORMATION

Including plaster kit

Always select a driver option and add the selected driver to your order.

! Full warranty only applies when fixture is purchased in combination with recommended driver.

! Allow for extra space behind plaster kit to install driver

ARTICLE NUMBER	LAMP TYPE	BRAND	LUMINOUS FLUX	OUTPUT POWER	MODULE EFFICIENCY	COLOR TEMPERATURE	CRI	TC LIFETIME	BEAM ANGLE	mA
Δ See colors										
4609.171.20.Δ	LMR50	Bridgelux V6	575lm	6,8W	85lm/W	2700K	>90	30.000 Hrs	20°	350mA
4609.172.30.Δ	LMR50	Bridgelux V6	575lm	6,8W	85lm/W	2700K	>90	30.000 Hrs	30°	350mA
4609.173.20.Δ	LMR50	Bridgelux V6	600lm	6,8W	85lm/W	3000K	>90	30.000 Hrs	20°	350mA
4609.174.30.Δ	LMR50	Bridgelux V6	600lm	6,8W	85lm/W	3000K	>90	30.000 Hrs	30°	350mA
4609.275.20.Δ	LMR50	Bridgelux DtW	535lm	7W	77lm/W	1800-3000K	DTW 95	30.000 Hrs	20°	350mA
4609.276.30.Δ	LMR50	Bridgelux DtW	535lm	7W	77lm/W	1800-3000K	DTW 95	30.000 Hrs	30°	350mA