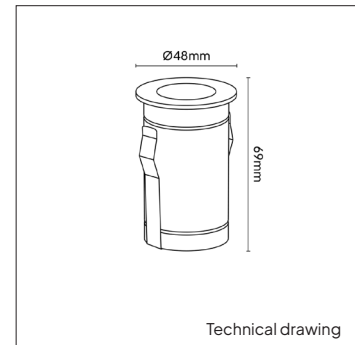
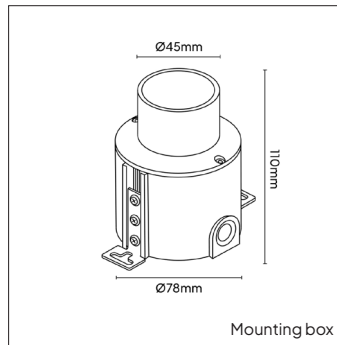


PRODUCT MATERIAL	Housing 6063 alu, cover SS316
LIGHT SOURCE	Osram Oslon SSL150
MODULE LIFETIME	Approx. 50.000 hours
DRIVER	Excluding driver, SELECT OPTION
COLORS	● 5 = Black
BEAM ANGLE	▲ 27°
ADJUSTABLE	No
SIZE	Ø48 X 69mm



OPTIONS

OPTIONAL BEAM ANGLE	▲ 6°	Art. no.: 8131.000.06.0
	▲ 36°	Art. no.: 8131.000.36.0
HONEYCOMB	Art. no.: 8131.040.00.0	
MOUNTING BOX (ABS)	Art. no.: 8131.090.00.0	
DRIVER OPTIONS ON/OFF	24V100W Art. no.: 0124.100.10.0	
	24V150W Art. no.: 0124.150.10.0	
	24V240W Art. no.: 0124.240.10.0	
DALI CONVERTER 240W	4 x cable + 2 x female, 0,5m Art. no.: 8140.099.00.0	
POWER CABLE ON/OFF IP65	1 x female + 1 x waterproof connector, 0,5m Art. no.: 8140.091.98.0	
POWER CABLE DALI IP20	1 x female + 1 x semi-shearing, 0,5m Art. no.: 8140.091.99.0	
T-CONNECTOR IP65	2 x female + 1 x male, 1m Art. no.: 8140.091.00.0	
CABLE Incl. male + female plug	1m	8140.091.01.0
	2m	8140.091.02.0
	5m	8140.091.05.0
	10m	8140.091.10.0
	25m	8140.091.25.0



INFORMATION

Fixture is including 500mm cable with plug.

Use mounting box for installation in soft ground. For installation in hard surface mounting box is not necessary.

Always select a driver option and add the selected driver to your order.

- ⚠ On/off max. cable length 100m max. 50W
DALI max. cable length 100m max. 30W
- ⚠ For connection schedule see last page of this chapter
- ⚠ Full warranty only applies when fixture is purchased in combination with recommended driver.

ARTICLE NUMBER	LAMP TYPE	BRAND	LUMINOUS FLUX	OUTPUT POWER	MODULE EFFICIENCY	COLOR TEMPERATURE	CRI	TC LIFETIME	mA	Driver
8131.270.27.5	Oslon SSL	Osram	180lm	3.4W	53lm/W	2700K	>90	50.000 Hrs	140mA	Excluded

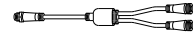
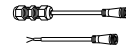
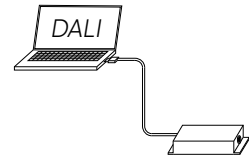
AVAILABLE PARTS

ARTICLE NUMBER	NAME	DESCRIPTION	LENGTH	IP
8140.099.00.0	DALI converter	4x cable + 2x female	500mm	IP20

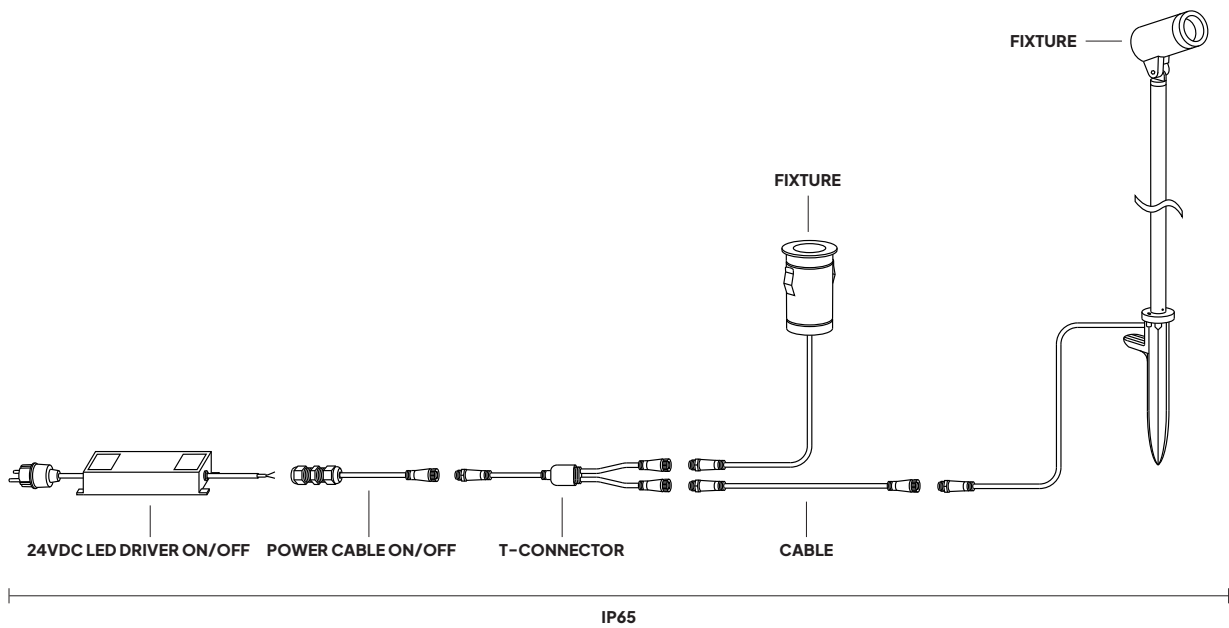
ARTICLE NUMBER	NAME	DESCRIPTION	LENGTH	IP
8140.091.98.0	Power cable On/Off	1x female + waterproof connector	500mm	IP65
8140.091.99.0	Power cable DALI	1x female + 1x semi-shearing	500mm	IP20

ARTICLE NUMBER	NAME	DESCRIPTION	LENGTH	IP
8140.091.00.0	T-connector	2x female + 1x male	1000mm	IP65

ARTICLE NUMBER	NAME	DESCRIPTION	LENGTH	IP
8140.091.01.0	Cable	1x female + 1x male	1000mm	IP65
8140.091.02.0	Cable	1x female + 1x male	2000mm	IP65
8140.091.05.0	Cable	1x female + 1x male	5000mm	IP65
8140.091.10.0	Cable	1x female + 1x male	10000mm	IP65
8140.091.25.0	Cable	1x female + 1x male	25000mm	IP65



ON/OFF CONNECTION



DALI CONNECTION

